

# AC 1000



## DOUBLE-SIDE HIGH-PRECISION FINE GRINDING MACHINE



AC 1000 with Twin loader rotary table (optional)

PETER WOLTERS AC 1000 double-side batch processing machine has been designed for high-precision series processing work pieces. Due to its modular construction, AC 1000 can be used as a fine grinding, lapping, honing, and polishing machine.

### MACHINE FEATURES

Like all machines of the microLine® series, AC 1000 is based on tried and tested core components such as high-precision, pneumatic pressure system, non-contact micro measuring controller, powerful drive technology, and the PC assisted machine control. Software has been developed by PETER WOLTERS which makes it possible to intuitively operate the machine entirely by menus. Swivel mounted cabinet and frame allow access to the machine interior.

The machine is available with different rotating devices, drive powers and wheel speeds to match

the widest possible range of work pieces. This ensures optimum machine configuration for every application.

AC 1000 is available with well-known, tried and tested accessories such as gap formation, alignment device, and dosing system for fine grinding/lapping or polishing compound.

Accessories such as measuring sensor and post-process measurement provide data for statistical process control and offer process security when processing critical work pieces. "Data Care", the proprietary analysis tool, captures all controller data and thus is the perfect platform for analytic process evaluation, optimization and fault analysis.

AC 1000 can load and process work pieces with a maximum diameter of 320 mm (12.5984") and a maximum thickness of 100 mm (3.9370").

### CUSTOMER BENEFITS

- Adapts easily to customer's application requirements
- High degree of stiffness and precision
- Fast – ergonomic loading and unloading, as well as easy tool changing
- Optimum surface quality, flatness, thickness tolerance and plane parallelism with narrowest tolerances on the work piece
- Extreme temperature stabilization over the tool surface and therefore constant flatness of the working wheels
- Reduced cost per piece, shorter loading, unloading, non-productive times
- Comprehensive, clearly structured screens
- Excellent machining results due to compliance with freely programmable process parameters
- Fast response to load changes (hysteresis-free)
- User friendly, intuitive operation
- Capable of storing 60 or more processing programs
- Low operating costs
- Individual process development, highest productivity
- Easy to maintain

### EQUIPMENT

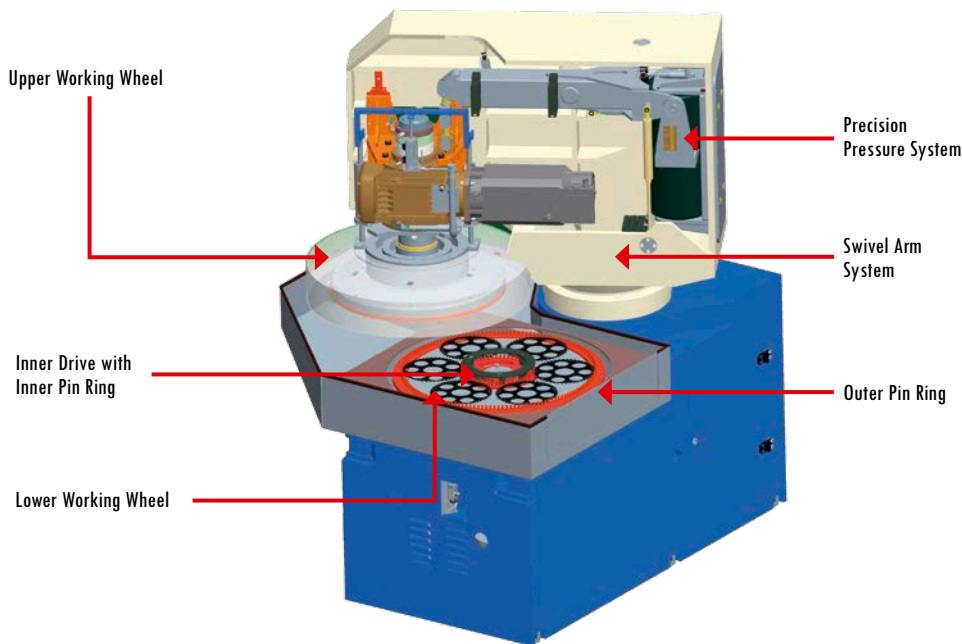
- AC 1000 can be configured to the respective application and is suitable for grinding, lapping, honing and polishing.
- Top variant features constant-torque servo drives.
- Size of the work piece to process is the basis for selecting the optimum rotating device. Several variants to choose from.
- Machine comes with suitable filters and cooling components depending on the application.
- AC 1000 can be linked with manual, semi-automatic or fully automatic loading systems.

## TECHNICAL DATA

## AC 1000

Version	F	H
Wheel diameter (mm/in)	1050 mm (41.3385")	1050 mm (41.3385")
Ring width (mm/in)	290 mm (11.4173")	290 mm (11.4173")
Max. load pressure (daN)	1500 / 2500	1500
Upper drive power (kW)	26 / 36	26
Upper drive speed (rpm)	150 / 250	150
Lower drive power (kW)	26 / 36	26
Lower drive speed (rpm)	150 / 250	150
Center drive power (kW)	6	6
Center drive speed (rpm)	90	90
Working wheel cooling	Labyrinth	Labyrinth
Dimensions (H × W × D) (mm/in)	2400 × 2325 × 3355 mm (94.488 × 91.535 × 132.086")	2400 × 2325 × 3355 mm (94.488 × 91.535 × 132.086")
Weight (kg/lbs)	7000 kg / 1764 lbs	7000 kg / 15432 lbs
Max. work piece thickness (mm/in)	100 mm / 3.9370"	100 mm / 3.9370"

## FUNCTIONAL DRAWING OF THE PETER WOLTERS AC MICROLINE® RANGE



## CONTROL



### Process oriented visualization (Human Machine Interface – HMI):

- Detailed graphic display of process data
  - Pressure and geometry
  - Speed (rpm)
  - Torque
  - Temperatures
- Comprehensive, clearly structured adjustment of several machine options, i.e. process control, swivel mounted cabinet and frame, countdown counter, etc.
- Temperature monitoring (working wheel, cooling lubricant)
- Monitoring of the cooling lubricant flow rate
- Language switch-over
- Touch-down monitor of upper working wheel

### Various error diagnostic functions through:

- Text display of error messages
- Error location display
- Error history

### Process-Data-Recording (Data Care)

- Recording of process data (speeds, torques, etc.) and other meta data on external data media.

## LAPMASTER WOLTERS

Buesumer Str. 96 • 24768 Rendsburg, Germany  
Phone: +49 (0) 4331/458-0 • info@lapmaster-wolters.de

